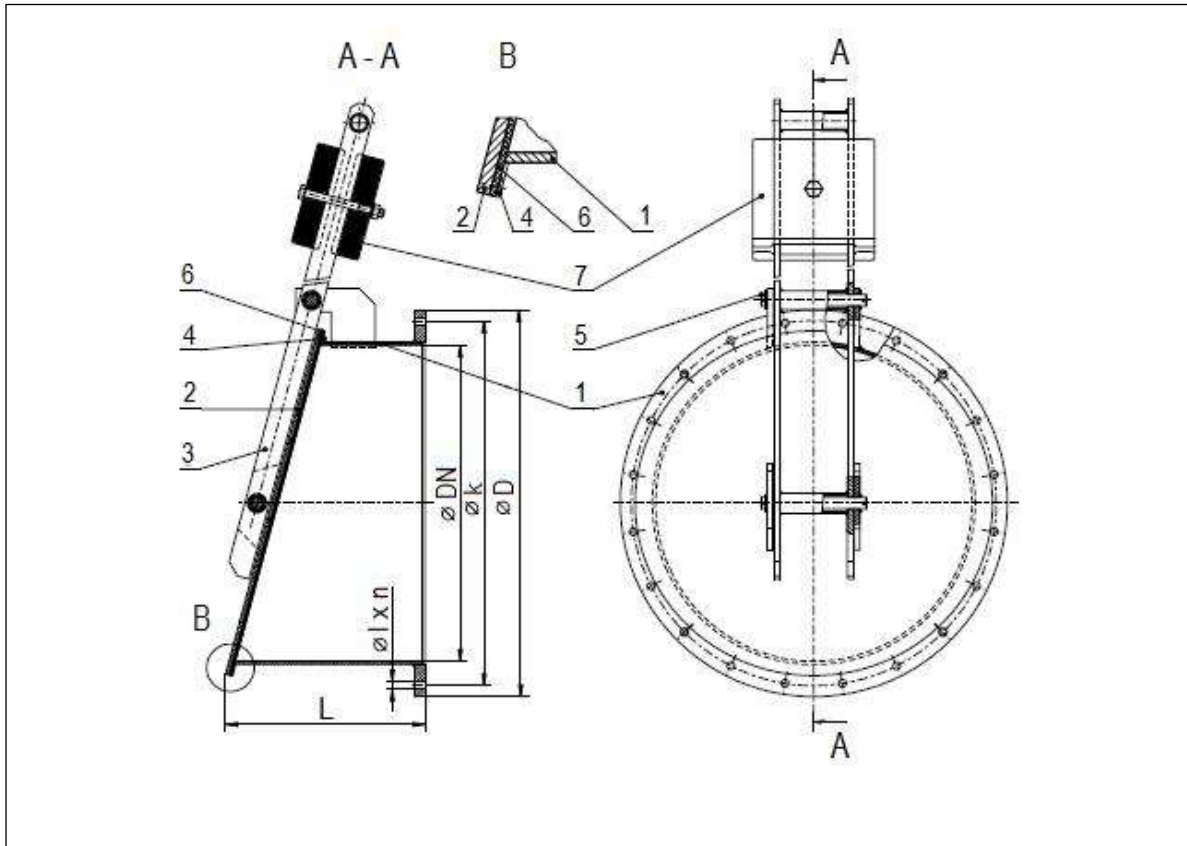


**ŽABLJI POKLOPAC – ZAVARENA IZVEDBA**  
**FROSKKLAPPE – SCHWEISSAUSFÜHRUNG**  
**FLAT CHECK VALVE – WELDED TYPE**

tip ZaP  
 Typ ZaP  
 type ZaP



NAMJENA: VODA, OTPADNA VODA  
 VERWENDUNG: WASSER, ABWASSER  
 APPLICATION: WATER, WASTE WATER

DN	L (mm)	PRIRUBNICE – FLANSHE – FLANGES – DIN 2501								G (kg)
		PN 6				PN 10				
		D (mm)	k (mm)	n (mm)	l (mm)	D (mm)	k (mm)	n (mm)	l (mm)	
300	260	440	395	12	22	445	400	12	22	
400	340	540	495	16	22	565	515	16	26	
500	390	645	600	20	22	670	620	20	26	
600	430	755	705	20	26	780	725	20	30	
700	470	860	810	24	26	895	840	24	30	
800	590	975	920	24	30	1015	950	24	33	
900	590	1075	1020	24	30	1115	1050	28	33	
1000	600	1175	1120	28	30	1230	1160	28	36	
1200	750	1405	1340	32	33	1455	1380	32	39	

POZ. TEIL PART	Materijal po DIN-u Werkstoff nach DIN Material acc to DIN	Material comparable to EN
1	St 37-2 X6CrNiMoTi 17-12-2	St 235JR X6CrNiMoTi 17-12-2
2	St 37-2 X6CrNiMoTi 17-12-2	St 37-2 X6CrNiMoTi 17-12-2
3	St 37-2 X6CrNiMoTi 17-12-2	St 37-2 X6CrNiMoTi 17-12-2
4	St 37-2 X6CrNiMoTi 17-12-2	St 37-2 X6CrNiMoTi 17-12-2
5	X20Cr13	X20Cr13
6	EPDM	EPDM
7	St 37-2	St 37-2